

**Finoris**  
**Single lever bidet mixer with push-open waste set**  
 Surfaces: **Matt White** Article Number: **76200700**



### Description

#### product features

- consists of: single lever bidet mixer, waste set
- projection 129 mm
- ball-pivot joint
- spray type: laminar spray
- maximum flow rate at 3 bar: 7,5 l/min
- ceramic cartridge
- suitable for continuous flow water heaters
- push-open waste set G 1¼
- material waste set: metal
- connection type: G ¾ connections
- connection dimension: DN15

### Design awards

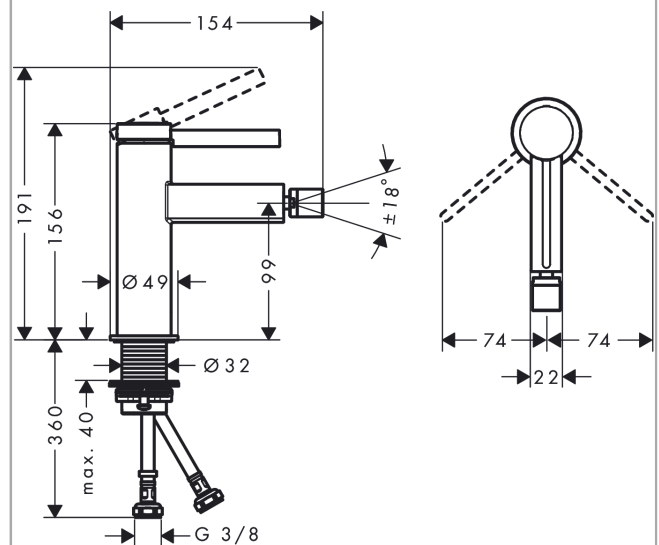


reddot winner 2021

### Product image



### Scale drawing



### Flowchart

